



# ABLOY® VEGA CABINET LOCKS



## ABLOY® VEGA CABINET LOCKS

Modern design. Simplicity in assembling. High level security. Improved usability.

All good reasons to choose new **ABLOY® VEGA**.

**ABLOY® VEGA** cabinet locks are suitable for a wide range of applications including office furniture, lockers, cabinets, storage chests, wardrobes, sliding doors, display cases and other applications. All **ABLOY®** cabinet locks have a uniform, exquisite design to meet your high quality design requirements.



## UNIQUE FEATURES

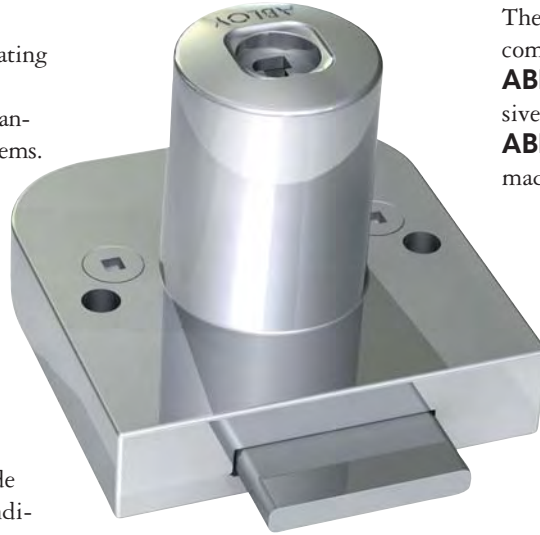
The unique **ABLOY**® cylinder construction, patented cylinders, strict key control and extensive masterkeying capabilities make **ABLOY**® cabinet locks ideally suited for the most demanding applications.

### Unique construction

Based on a unique operating principle which employs rotating detainer discs, **ABLOY**® cabinet locks offer many advantages over other locking systems.

### Resistance to harsh conditions

The **ABLOY**® cylinder contains no springs or pins enabling operation in a wide range of environmental conditions. All the components are highly resistant to wear, dirt, moisture, corrosion or freezing conditions.



### Masterkeying capabilities

The several million different key combinations available with the **ABLOY**® cylinder provides extensive master keying possibilities. All **ABLOY**® cylinder products can be made to operate with just one key.

### Virtually pickproof

Only the correct key can align the gates on all the discs and permit the locking bar to disengage the cylinder from the housing.

### User-friendly

The disc control system and symmetrical key make **ABLOY**® cabinet locks easy to operate.

## ADJUSTMENTS



All **ABLOY**® cabinet locks are delivered with a default setting where the key is removable only in the locked position. By adjusting the hexagonal screw located on the back of the lock, the key can then be removed in both the locked and unlocked position.

To ensure security, it is extremely important to be aware of who is using the keys and how they are stored. Equally important is to choose the right key and cylinder system to meet the needs of each application. To guarantee maximum customer security, the **ABLOY®** cylinder system offers a variety of key profiles and patented key security levels with a factory controlled key service.

### **ABLOY® PROTEC**

- All metal key
- Patented key, key blank and cylinder construction
- Disc blocking system (DBS)
- Can be masterkeyed to work with **ABLOY®** cylinders
- Extensive range of **ABLOY®** industrial locks available



### **ABLOY® EXEC**

- Nickel-silver key with heavyduty polymer key bow
- Patented key, key blank and cylinder construction
- Particularly suitable for industrial locking systems
- Exceptional resistance to picking and environmental conditions
- Can be masterkeyed to work with **ABLOY®** cylinders



### **ABLOY® CLASSIC**

- All metal key
- Cost effective solution for basic security level applications
- Can be masterkeyed to work with **ABLOY®** cylinders



## OF230, OF220



### OF230C, OF230E, OF230N

- Maximum door thickness in assembling 25mm
- Number of rotating discs: 11
- Type of bolt: Flat

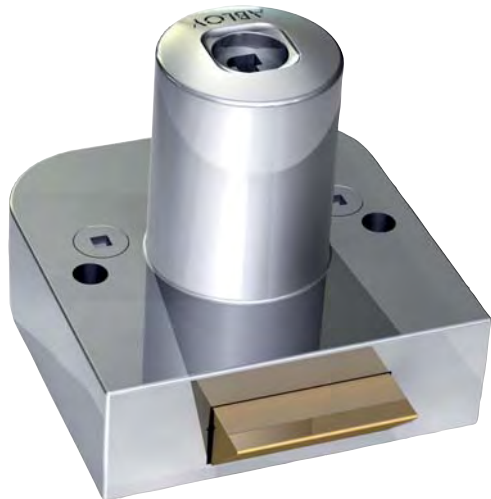
### OF220C

- Maximum door thickness in assembling 19mm
- Number of rotating discs: 7
- Type of bolt: Flat
- Cannot be masterkeyed with door lock cylinders

#### Materials and finish:

- Cylinder housing: Chromium plated zinc
- Bolt: Nickel plated steel

## OF231, OF221



### OF231C, OF231E, OF231N

- Maximum door thickness in assembling 25mm
- Number of rotating discs: 11
- Type of bolt: Spring latch

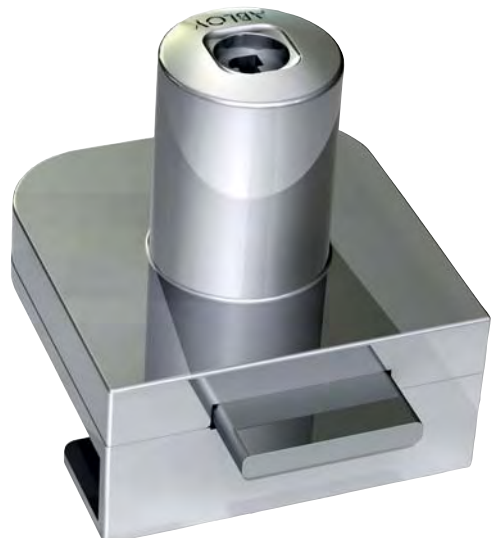
### OF221C

- Maximum door thickness in assembling 19mm
- Number of rotating discs: 7
- Type of bolt: Spring latch
- Cannot be masterkeyed with door lock cylinders

#### Materials and finish:

- Cylinder housing: Chromium plated zinc
- Bolt: Brass

## OF232, OF222



### OF232C, OF232E, OF232N

- Maximum door thickness in assembling 8mm
- Number of rotating discs: 11
- Type of bolt: Flat

### OF222C

- Maximum door thickness in assembling 8mm
- Number of rotating discs: 7
- Type of bolt: Flat
- Cannot be masterkeyed with door lock cylinders

#### Materials and finish:

- Cylinder housing: Chromium plated zinc
- Bolt: Nickel plated steel

## OF233



### OF233C, OF233E, OF233N

- Maximum door thickness in assembling 25mm
- Number of rotating discs: 11
- Type of bolt: Flat

#### Materials and finish:

- Cylinder housing: Chromium plated zinc
- Bolt: Nickel plated steel

## OF234



### OF234C, OF234E, OF234N

- Maximum door thickness in assembling 25mm
- Number of rotating discs: 11
- Type of bolt: Flat

#### Materials and finish:

- Cylinder housing: Chromium plated zinc
- Bolt: Nickel plated steel

## OF235



### OF235C, OF235E, OF235N

- Maximum door thickness in assembling 25mm
- Number of rotating discs: 11
- Type of bolt: Double hook

#### Materials and finish:

- Cylinder housing: Chromium plated zinc
- Bolt: Nickel plated steel

## OF430, OF420



### OF430C, OF430E, OF430N

- Maximum door thickness in assembling 32mm
- Number of rotating discs: 11

### OF420C

- Maximum door thickness in assembling 26mm
- Number of rotating discs: 7
- Cannot be masterkeyed with door lock cylinders

#### Materials:

- Cylinder: Chromium plated zinc
- Cylinder housing: Chromium plated zinc
- Bolt: Stainless steel

## OF431, OF421



### OF431C, OF431E, OF431N

- Maximum door thickness in assembling 2-9mm
- Length of key housing: 32mm
- Number of rotating discs: 11

### OF421C

- Maximum door thickness in assembling 2-9mm
- Length of key housing: 26mm
- Number of rotating discs: 7
- Cannot be masterkeyed with door lock cylinders

#### Materials:

- Cylinder: Chromium plated zinc
- Cylinder housing: Chromium plated zinc
- Bolt: Stainless steel

## OF432, OF422



### OF432C, OF432E, OF432N

- Number of rotating discs: 11

### OF422C

- Number of rotating discs: 7
- Cannot be masterkeyed with door lock cylinders

#### Materials:

- Cylinder: Satin chromium plated zinc
- Cylinder housing: Satin chromium plated zinc/  
satin chromium plated brass
- Bolt: Zinc

## OF423



### OF423C

- Length of key housing: 28mm
- Number of rotating discs: 7
- Cannot be masterkeyed with door lock cylinders

#### Materials:

- Cylinder: Chromium plated zinc
- Cylinder housing: Chromium plated brass
- Bolt: Stainless steel

## OF424



### OF424C

- Maximum door thickness in assembling 25mm
- Thread bolt M6
- Number of rotating discs: 7
- Cannot be masterkeyed with door lock cylinders

#### Materials:

- Cylinder: Chromium plated zinc
- Cylinder housing: Chromium plated zinc
- Bolt: Stainless steel

## OF433



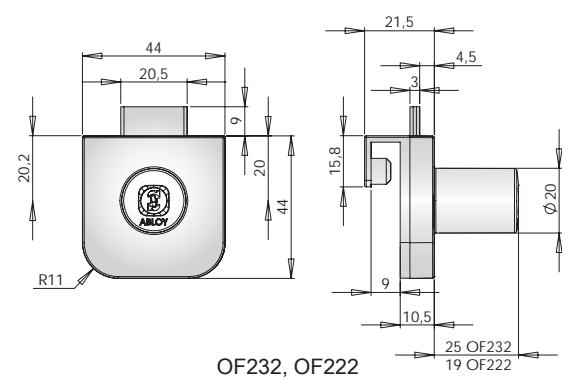
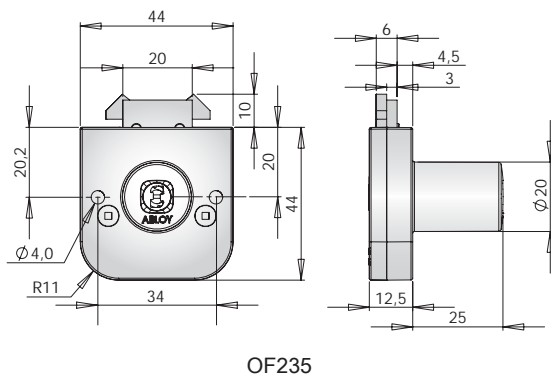
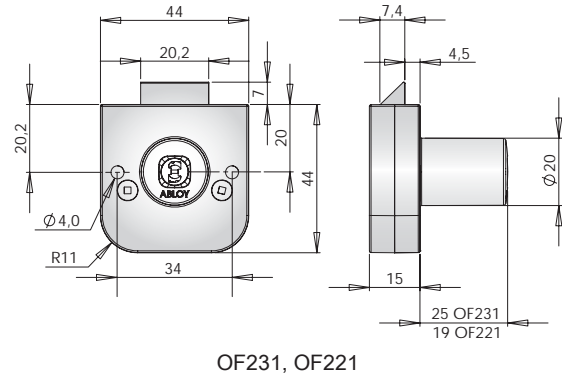
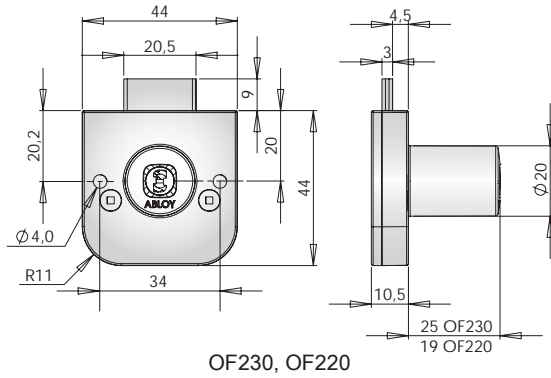
### OF433E, OF433N

- Maximum door thickness in assembling 32mm
- Number of rotating discs: 11
- Can be locked with key only

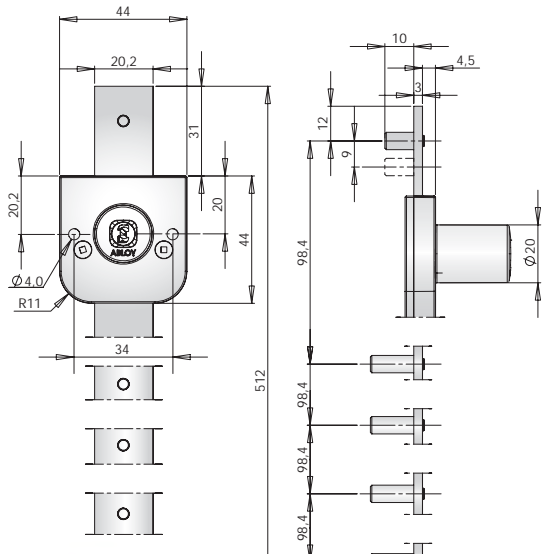
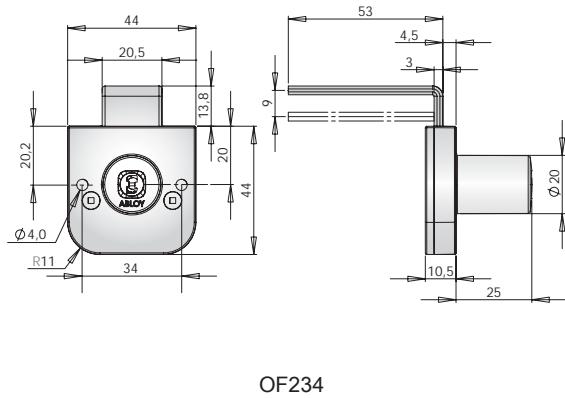
#### Materials:

- Cylinder: Chromium plated zinc
- Cylinder housing: Chromium plated zinc
- Bolt: Stainless steel

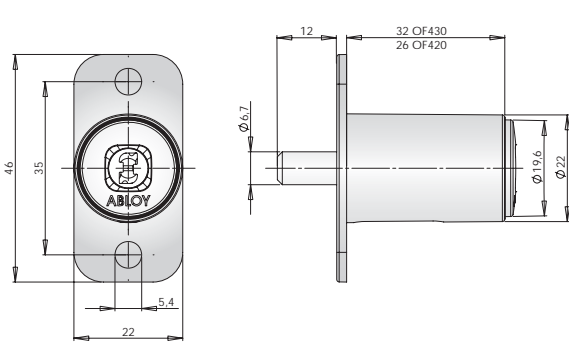
# CABINET LOCKS



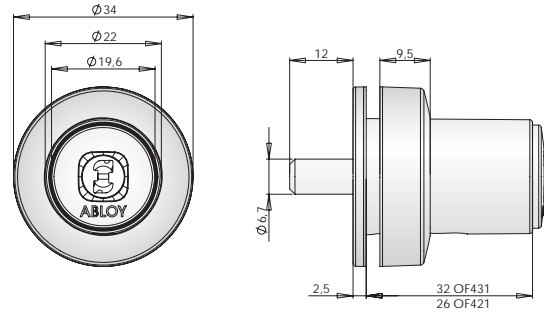
# CABINET LOCKS WITH CENTRAL LOCKING BAR



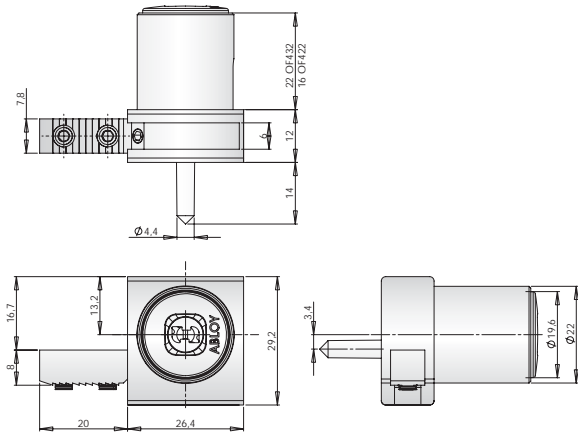
# PUSH BUTTON LOCKS



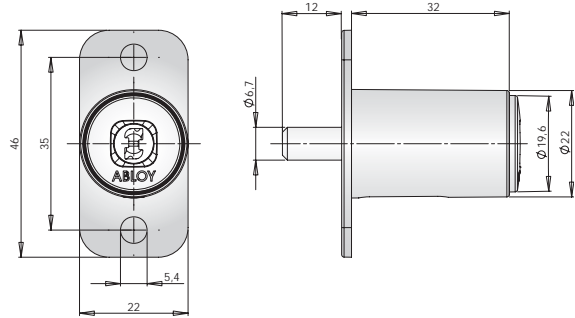
OF430, OF420



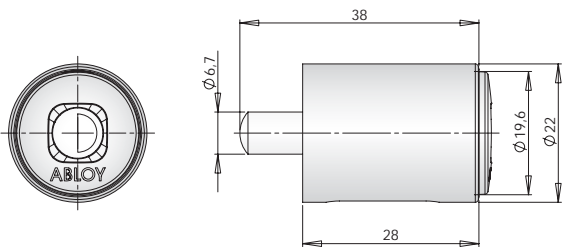
OF431, OF421



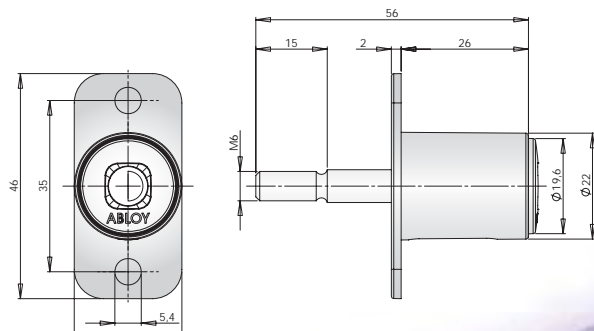
OF432, OF422



OF433



OF423



OF424

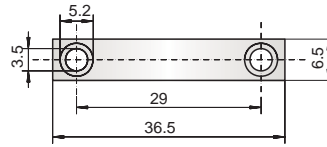


Strike plates

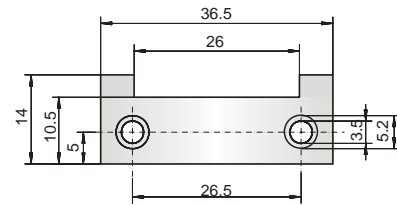
802330



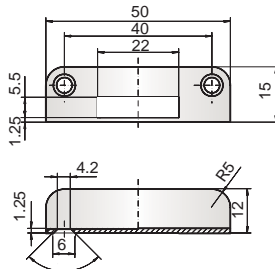
Material: Nickel plated steel



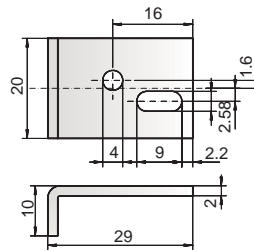
434980



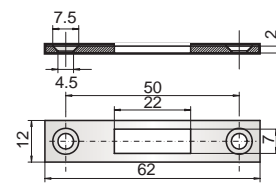
434981



434987

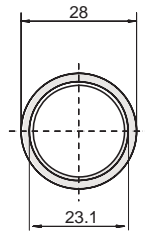


455365

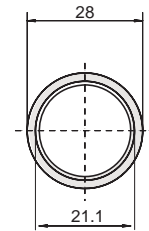


802330

Escutcheon ring

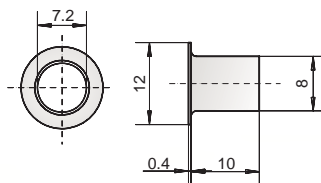


401746 Chromium plated brass



413529 Chromium plated brass

Strike eye rivit 401930



Material: Nickel plated brass



## ABLOY® – the sign for security



The quality and environmental systems used by Abloy Oy guarantee that customers can be certain of **ABLOY®** quality in every field. We received our first Quality System Certificate - SFS-EN ISO 9001 - in 1989. Just eight years later, Abloy Oy was one of the first companies in Finland to be granted an SFS-EN-ISO 14001 Environmental System Certificate.

Our products are designed and manufactured not only to provide high levels of security, but also to be reliable, user-friendly and aesthetically pleasing. **ABLOY®** is your sign for security.



**ABLOY®** is a registered trademark of Abloy Oy, one of the leading manufacturers of locks, locking systems and architectural hardware and the world's leading developer of products in the field of electromechanical lock technology.

The unique **ABLOY®** detainer disc cylinder mechanism has several advantages over conventional locking mechanisms. Ever since its invention in 1907, it has been a symbol of high security and superior performance.

Our range consists of electromechanical locks, cam locks, padlocks, office furniture locks, rim locks, lock cases, cylinders for different types of mortice locks, door closers, door automatics and architectural hardware. **ABLOY®** locking solutions for every application are available from our world-wide network of distributors.

Customer-oriented development, combined with our long experience and extensive security expertise, mean that **ABLOY®** security solutions employ the very latest technology to meet your needs.

### US Office:

Abloy Security, Inc.  
6005 Commerce Drive, Ste 330  
Irving, TX 75063  
Tel. (800) 367-4598  
[www.abloyusa.com](http://www.abloyusa.com)



[www.abloy.com](http://www.abloy.com)

Abloy Oy  
Wahlforssinkatu 20  
P.O.Box 108  
FI-80101 JOENSUU  
FINLAND  
Tel. +358 20 599 2501  
Fax +358 20 599 2209



8802600 03/2008