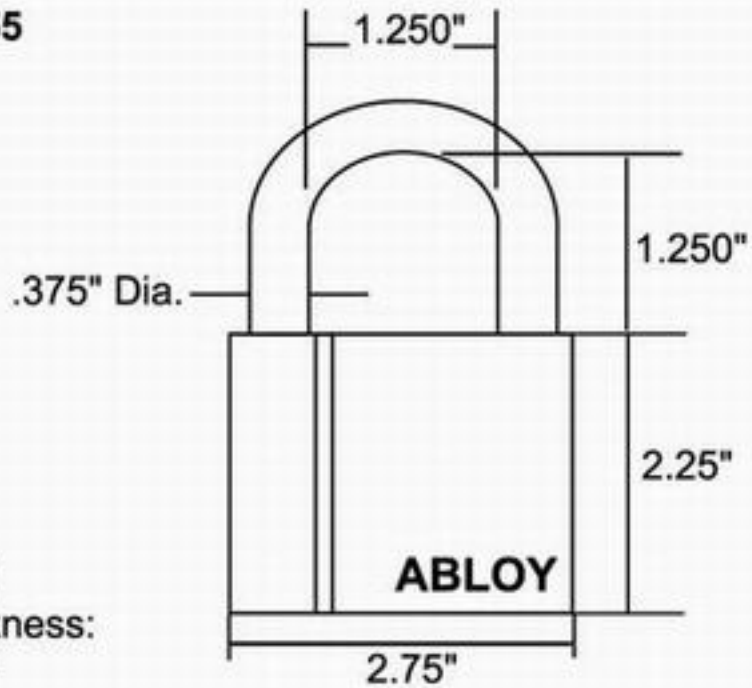


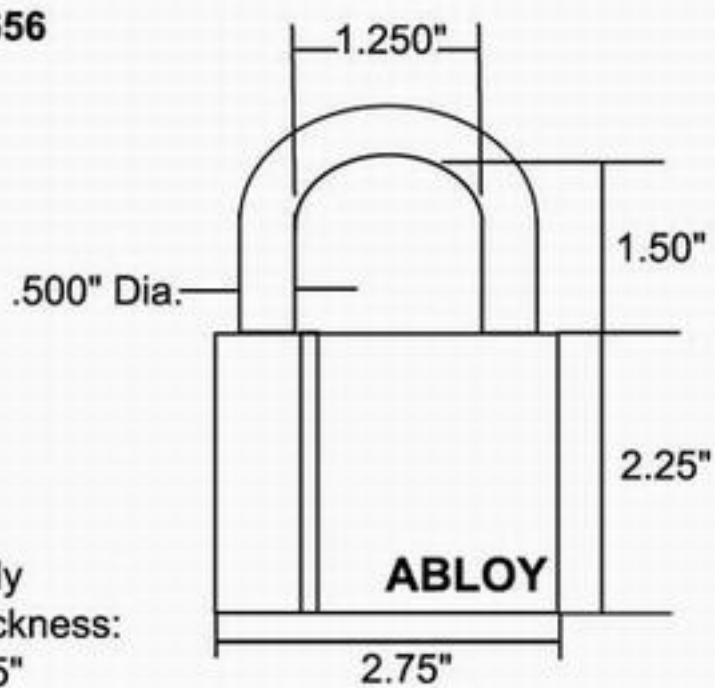
PL655



Body
Thickness:
1.05"

Type # Spec P/N FF-P-2827-A

PL656



Body
Thickness:
1.05"

Type # Spec P/N FF-P-2827-B